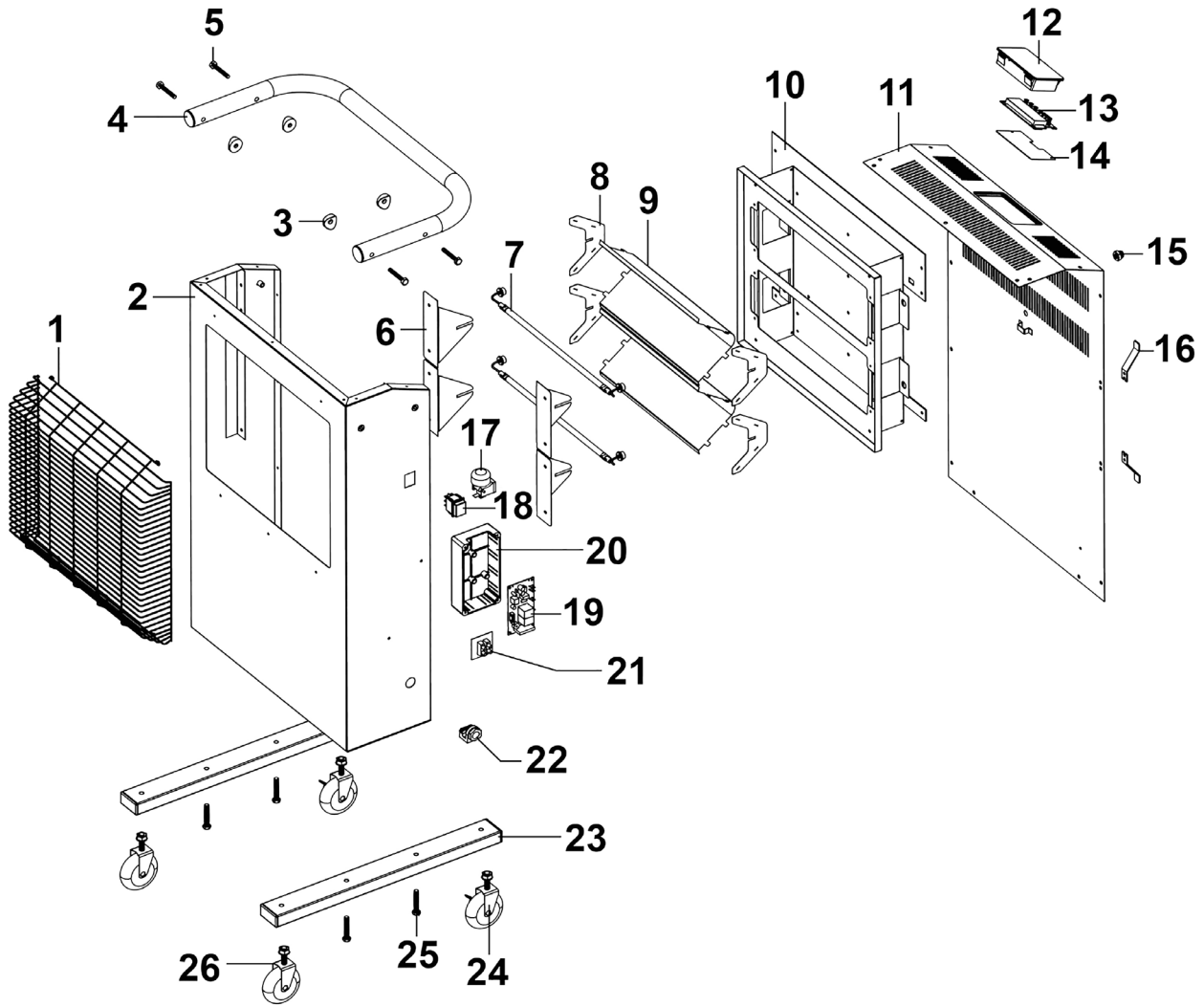




Parts Information:  
**Infrared Cabinet Heater 1.4/2.8kW 230V**  
**Infrared Cabinet Heater 1.2/2.4kW 110V**  
**Model No: IR14.V2 & IR14110V**



Item	Part No.	Description
1	IR14.01	Front Guard
2	IR14.02	Main Body
3	IR14.03	Plastic Curved Washer
4	IR14.04	Handle Frame
5	MSP620.S	Machine Screw Pan Head Phillips M6 x 20mm
6	IR14.06	Infrared Lamp Holder
7	IR14.07	Ruby Halogen Infrared Elements 230V
7	IR15110V.09	Ruby Halogen Infrared Elements 110V
8	IR14.08	Side Plate for Reflector
9	IR14.09	Reflector
10	IR14.10	Reflector Plate Base
11	IR14.11	Back Cover
12	IR15.17	PCB Cover (for Upper Unit)
13	IR15-V2-16	PCB (for Upper Unit)

Item	Part No.	Description
14	IR15.15	PCB Base Support
15	IR14.15	Thermocouple Grip
16	IR14.16	Cable Hook
17	IR15.07	Tilt Switch
18	IR15.03	On/Off Switch 250V 16A 125V AC T85/55
19	IR15.23	PCB (for Lower Unit)
20	IR14.20	PCB Cover (for Lower Unit)
21	IR14.21	Terminal
22	IR15.20	Cable Grip
23	IR14.23	Support Frame
24	IR15.27	Swivel Castor, Single Bolt w/ Brake (D 63 W 30)
25	SS845.S	Hex Head Set Screw M8 X 45 Zinc
26	IR15.28	Swivel Castor, Single Bolt (D: 63 W: 30 B: 8 H: 120)

**NOTE:** It is our policy to continually improve products and as such we reserve the right to alter data, specifications and component parts without prior notice. There may be alternative versions of this product, please contact us should you require this information.

**IMPORTANT:** No liability is accepted for incorrect use of product. Spare parts must be fitted by a competent person

**WARRANTY:** Guarantee is 12 months from purchase date, proof of which will be required for any claim.

Sealey Group, Kempson Way, Suffolk Business Park, Bury St Edmunds, Suffolk. IP32 7AR



01284 757500



sales@sealey.co.uk



www.sealey.co.uk